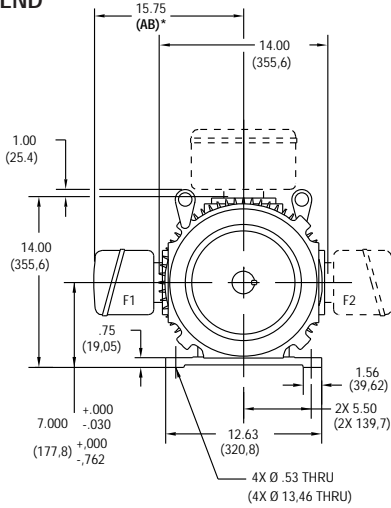


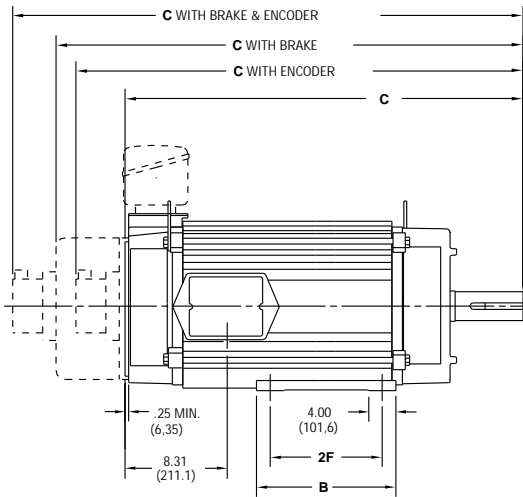
POWERTEC MOTOR DIMENSIONS

F280 Frames, TENV (Totally Enclosed, Non-Ventilated)

DRIVE END



SIDE VIEW



CALLOUT FOR "C" DIMENSION			
MODEL	Motor ONLY	With ENCODER	With BRAKE
F287	31.69 (804.93)	35.81 (909.57)	Consult Factory
F288	36.44 (925.58)	40.56 (1030.22)	Consult Factory
F28A	40.56 (1030.22)	44.68 (1134.87)	Consult Factory
F28C	44.69 (1135.13)	48.81 (1239.77)	Consult Factory

MODEL	2F	B	J	K
F287	12.50 (317.5)	16.00 (406.4)	1.38 (35.05)	3.13 (79.50)
F288	14.00 (355.6)	16.00 (406.4)	1.38 (35.05)	3.13 (79.50)
F28A	18.00 (457.2)	20.00 (508)	1.56 (39.62)	4.00 (101.6)
F28C	22.00 (558.8)	24.00 (609.6)	1.56 (39.62)	4.00 (101.6)

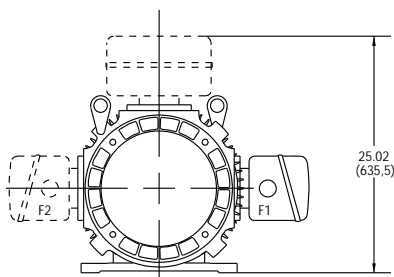
Dimensions in () are mm, all others in inches

NOTE:

1. Reference page 124 for conduit box dimensions.
2. Conduit box can be rotated in 90° steps on its own axis and can be mounted on opposite side or top when specified.

* See terminations, page 126.

OPPOSITE DRIVE END



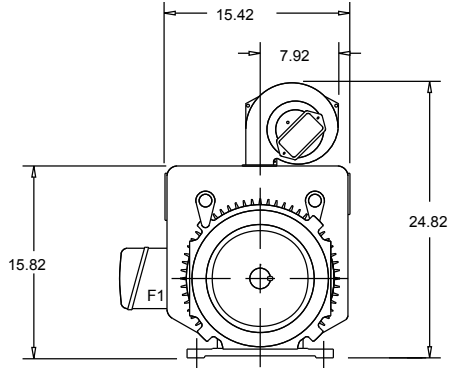
POWERTEC MOTOR DIMENSIONS

A

MOTORS

F280 Frames, TEAO (Totally Enclosed, Air Over)

DRIVE END



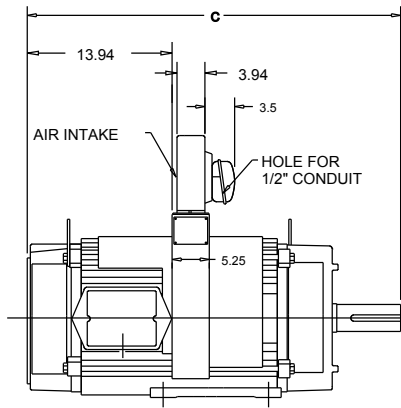
REFERENCE PAGE 124 FOR
CONDUIT BOX DIMENSIONS

REFER TO TENV DIMENSIONS ON PAGE 40 FOR FRONT VIEW FEET DIMENSIONS

B

DRIVES

SIDE VIEW



MODEL	C DIMENSION
F287	31.69
F288	36.44
F28A	40.56
F28C	44.69

1. CONDUIT BOX CAN BE ROTATED IN 90° STEPS ON ITS OWN AXIS AND CAN BE MOUNTED ON OPPOSITE SIDE WHEN SPECIFIED.
2. BLOWER CAN BE ROTATED 180° ABOUT ITS AXIS.

C

PRE-ENGINEERED
DRIVE SYSTEMS

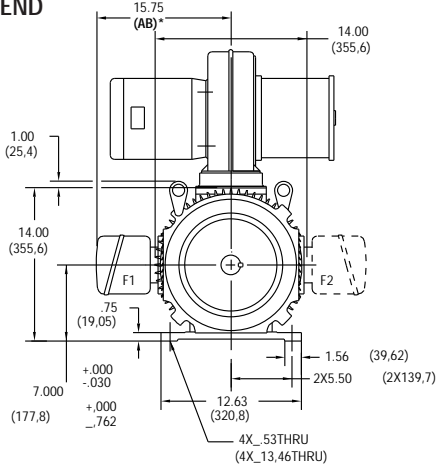
D

GENERAL
INFORMATION

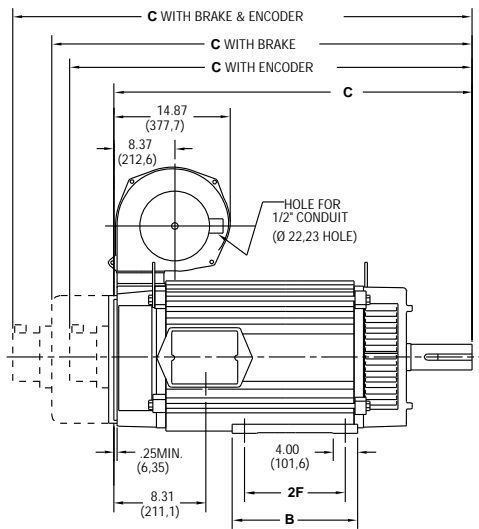
POWERTEC MOTOR DIMENSIONS

F280 Frames, DPBV (Dripproof, Blower Ventilated)

DRIVE END



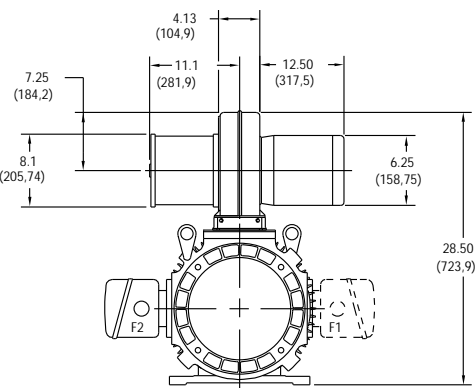
SIDE VIEW



CALLOUT FOR "C" DIMENSION			
MODEL	Motor ONLY	With ENCODER	With BRAKE
F287	31.69 (804,93)	35.81 (909,57)	Consult Factory
F288	36.44 (925,58)	40.56 (1030,22)	Consult Factory
F28A	40.56 (1030,22)	44.68 (1134,87)	Consult Factory
F28C	44.69 (1135,13)	48.81 (1239,77)	Consult Factory

MODEL	2F	B	J	K
F287	12.50 (317,5)	16.00 (406,4)	1.38 (35,05)	3.13 (79,50)
F288	14.00 (355,6)	16.00 (406,4)	1.38 (35,05)	3.13 (79,50)
F28A	18.00 (457,2)	20.00 (508)	1.56 (39,62)	4.00 (101,6)
F28C	22.00 (558,8)	24.00 (609,6)	1.56 (39,62)	4.00 (101,6)

OPPOSITE DRIVE END



NOTE:

1. Conduit box can be rotated in 90° steps on its own axis and can be mounted on opposite side or top when specified.
2. Blower can be rotated 180° about its axis. Size #9 blower is used on F280 frames. See Page 133.

POWERTEC MOTOR DIMENSIONS

A

MOTORS

B

DRIVES

C

PRE-ENGINEERED
DRIVE SYSTEMS

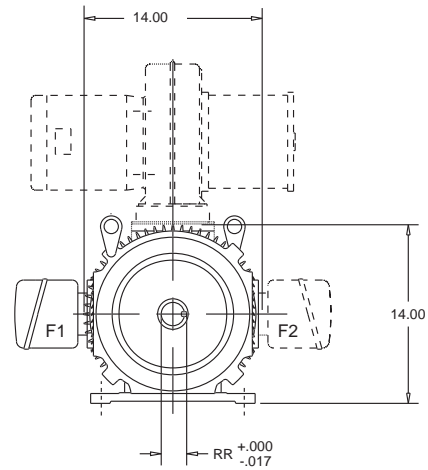
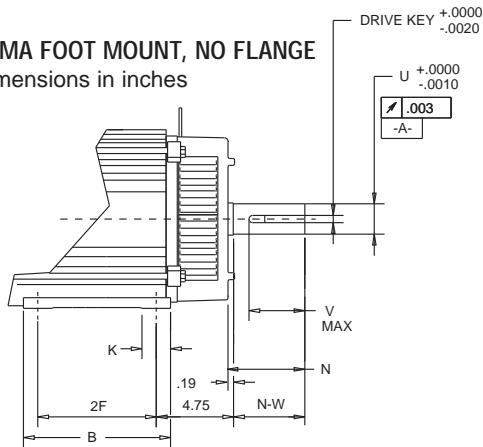
D

GENERAL
INFORMATION

F280 Frame Mounting, NEMA

NEMA FOOT MOUNT, NO FLANGE

Dimensions in inches

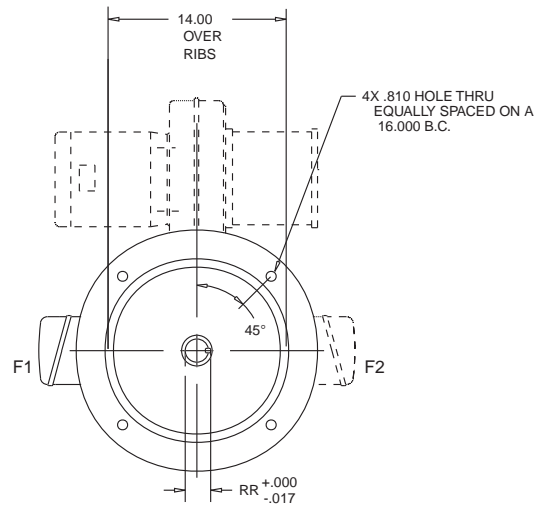
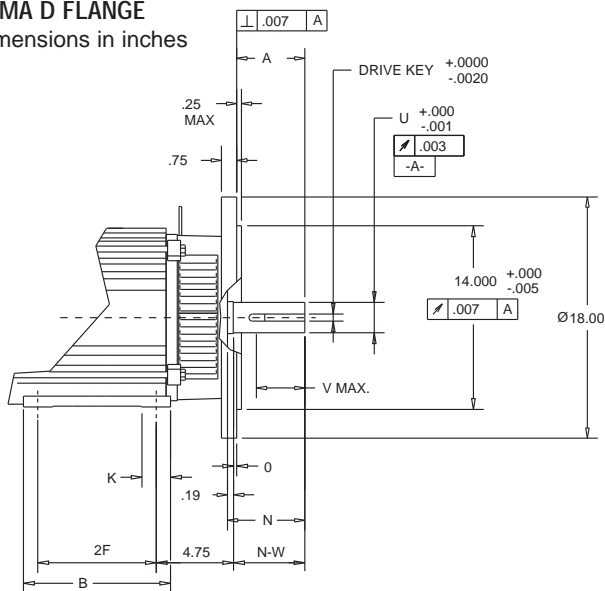


REFER TO DPBV DIMENSIONS ON PAGE 42 FOR FRONT VIEW FEET DIMENSIONS.

MODEL	2F	B	K	N	N-W	U	V	RR	DRIVE KEY
F287	12.50	16.00	3.13	5.44	5.25	2.125	4.75	2.345	.500
F288	12.50	16.00	3.13	6.06	5.87	2.375	5.37	2.646	.625
F28A	18.00	20.00	4.00	6.06	5.87	2.375	5.37	2.646	.625
F28	22.00	24.00	4.00	6.06	5.87	2.375	5.37	2.646	.625

NEMA D FLANGE

Dimensions in inches



REFER TO DPBV DIMENSIONS ON PAGE 42 FOR FRONT VIEW FEET DIMENSIONS.

MODEL	2F	B	K	N	AH	N-W	U	V	RR	DRIVE KEY
F287	12.50	16.00	3.13	5.44	5.25	5.25	2.125	4.75	2.345	.500
F288	12.50	16.00	3.13	6.06	5.87	5.87	2.375	5.37	2.646	.625
F28A	18.00	20.00	4.00	6.06	5.87	5.87	2.375	5.37	2.646	.625
F28C	22.00	24.00	4.00	6.06	5.87	5.87	2.375	5.37	2.646	.625