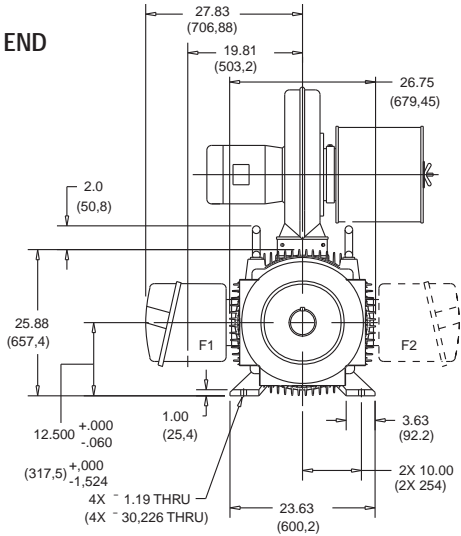


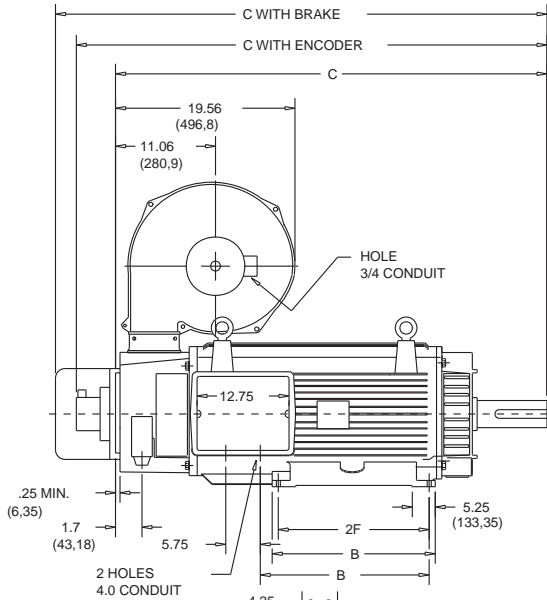
# POWERTEC MOTOR DIMENSIONS

## F500 Frames, DPBV (Dripproof, Blower Ventilated)

DRIVE END



SIDE VIEW

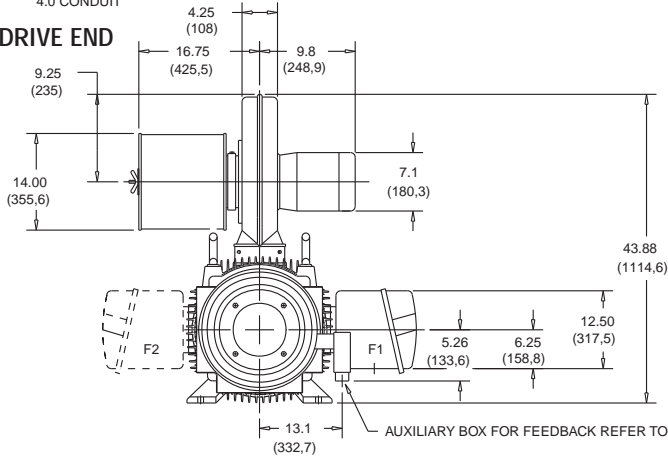


CALLOUT FOR "C" DIMENSION			
MODEL	MOTOR ONLY	WITH ENCODER	WITH BRAKE
F504	49.75 (1263,65)	53.87 (1368,3)	Consult Factory
F506	55.38 (1406,65)	59.50 (1511,3)	Consult Factory
F508	61.25 (1555,75)	65.37 (1660,4)	Consult Factory

Dimensions in ( ) are mm, all others in inches

MODEL	2F	B	B
F504	16.00 (406,4)	19.50 (495,3)	19.0 (482,6)
F506	20.00 (508)	23.50 (596,9)	23.87 (606,3)
F508	25.00 (635)	28.50 (723,9)	28.75 (730,3)

OPPOSITE DRIVE END



1. CONDUIT BOX CAN BE ROTATED IN 90° STEPS ON ITS OWN AXIS AND CAN BE MOUNTED ON OPPOSITE SIDE WHEN SPECIFIED.
2. BLOWER CAN BE ROTATED 180° ABOUT ITS AXIS. SIZE #12 BLOWER IS USED ON 500 FRAMES.

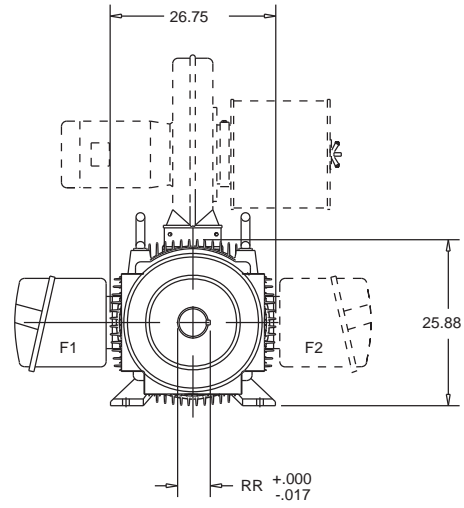
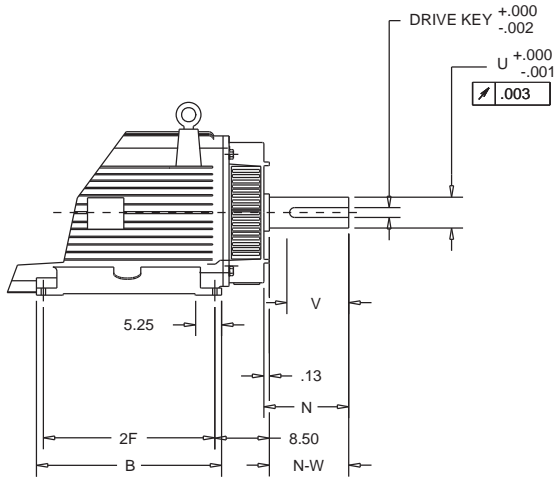
# POWERTEC MOTOR DIMENSIONS

A

MOTORS

## F500 Frame Mounting, NEMA

NEMA FOOT MOUNT, NO FLANGE  
Dimensions in inches



REFER TO DPBV DIMENSIONS ON PAGE 48  
FOR FRONT VIEW FEET DIMENSIONS.

MODEL	2F	B	N	N-W	U	V	RR	DRIVE KEY
F504	16.00	19.50	6.63	6.50	3.250	6.25	3.581	.750
F506	20.00	23.50	7.38	7.25	3.625	7.00	4.009	.875
F508	25.00	28.50	8.38	8.25	4.125	8.00	4.563	1.00

B

DRIVES

C

PRE-ENGINEERED  
DRIVE SYSTEMS

D

GENERAL  
INFORMATION